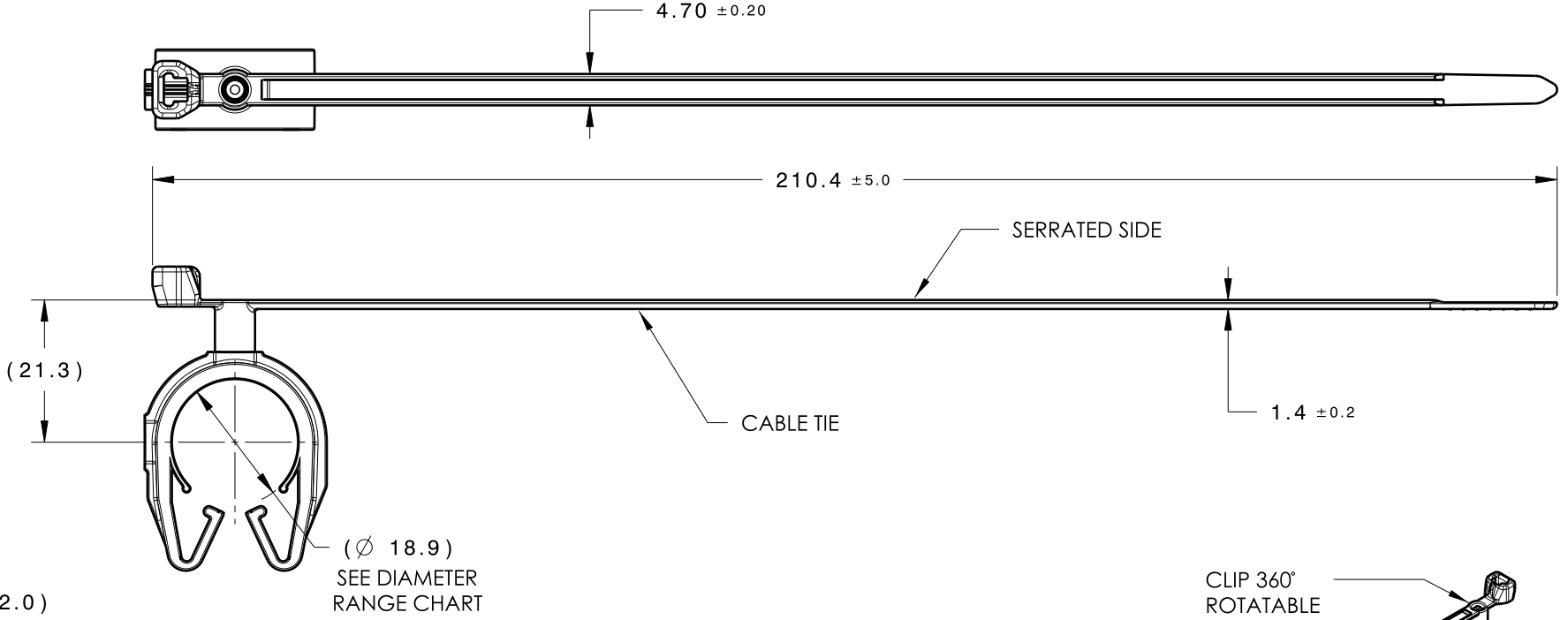
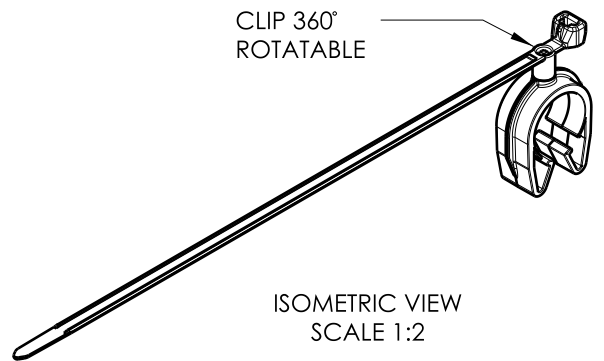


Revision Level			Revision Record	Changed	Date	Approved	Date
Drawing	State	Part					
00.3	Design Release	-	SEE ECN# 014549	TAT	7/31/18	EJH	7/31/18



TYPE	SUGGESTED DIAMETER RANGE*
HARNESS	17.0MM - 20.0MM
HOSE	17.0MM - 20.0MM
HARD PIPE/TUBE	19.0MM - 21.8MM

\*RECOMMENDED SIZES MAY DIFFER DEPENDING ON THE APPLICATION , PRODUCT REQUIREMENTS AND MATERIALS USED  
 \*\*PATENT PENDING 29/582,271



GLOBAL PART DESCRIPTION	BUNDLE RANGE	CABLE TIE			CLIP**		
		DRAWING	MATERIAL	COLOR	DRAWING	MATERIAL	COLOR
T50SMVCMOC19M180-PA66HIRHSUV-BK	2 TO 50	14-0606-012-CSU	PA66HIRHSUV	BLACK	16-0322-000-CSU	PA66HIRHSUV	BLACK

Material SEE CHART COLOR: SEE CHART	Units <b>millimeters</b>  Tolerance defined on each dimension	The copyright of this drawing is reserved by HellermannTyton. It is issued on condition that it is not reproduced, copied or disclosed to a third party, either wholly or in part, without the consent of HellermannTyton.	Drawn CJR 7/23/18	Article/Type-No T50SMVCMOC19M180	Scale 1:1	
	Approved TAT 7/24/18		Title T50SMVC CABLE TIE COUPLED TO 19MM MOC	Project Number 16-0322		
	<b>HellermannTyton</b> North America Web: www.hellermann.tyton.com			Drawing-No PRODUCTION : Phase	Format AH	
				<b>16-0322-306-CSU</b>	Sheet 1/1	